

THIS DRAWING IS UNPUBLISHED.

RELEASED FOR PUBLICATION

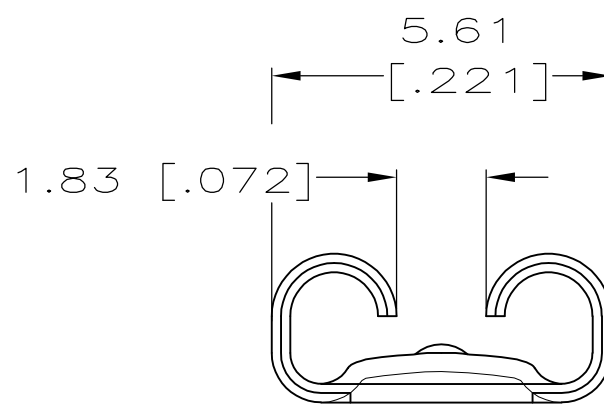
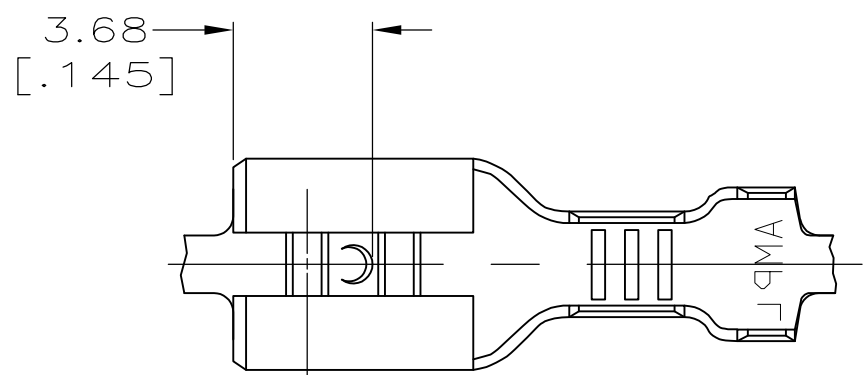
ALL RIGHTS RESERVED.

© COPYRIGHT - By -

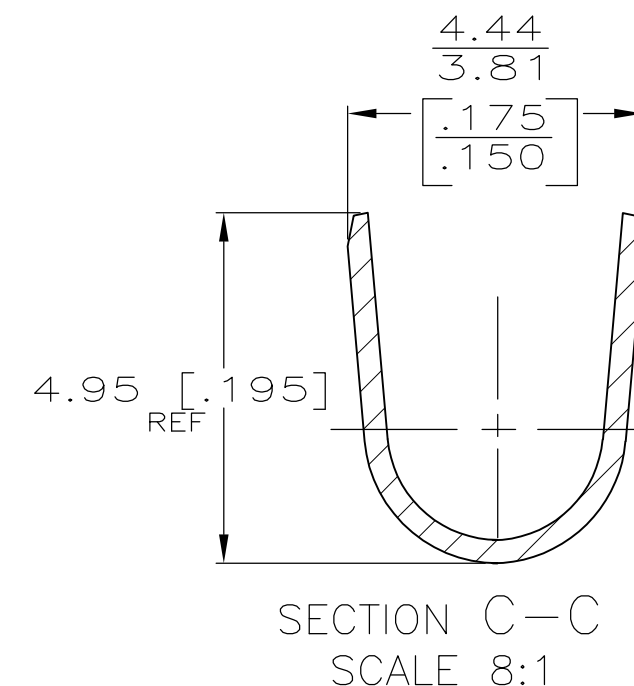
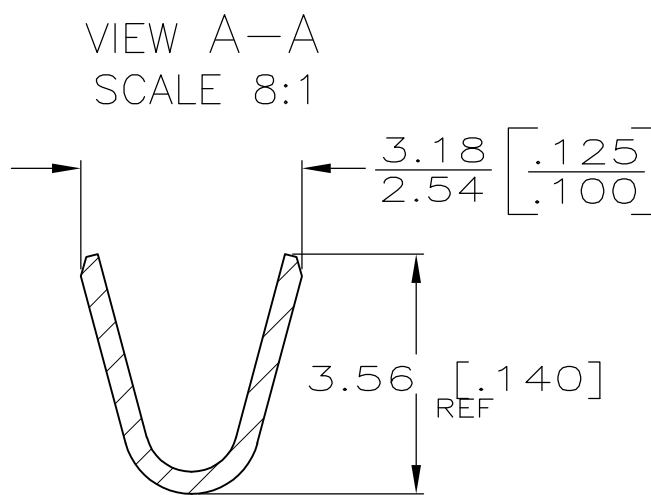
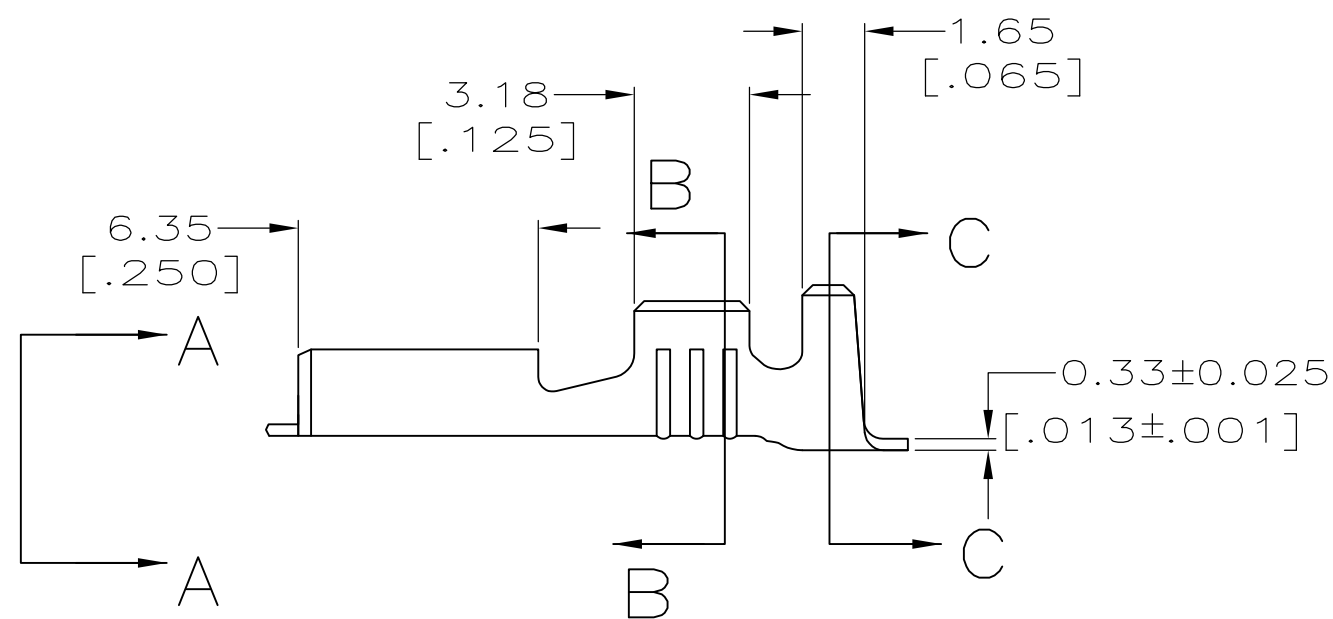
LOC AF DIST 50

REVISIONS

P	LTR	DESCRIPTION	DATE	DWN	APVD
	F	REVISED PER ECR-12-013518	23NOV2012	KH	PD



- 1 ACCEPTS WIRE SIZE [#20-#16] AWG.
- 2 INSULATION RANGE IS 2.29-3.30 [.090-.130] DIA.
- 3 CONTINUOUS STRIP ON REELS.



OBSOLETE	TIN	0.81±0.025 [.032±.001]	63608-2
	FINISH	MATING TAB THICKNESS	<del>63608-1</del>

THIS DRAWING IS A CONTROLLED DOCUMENT.		DWN JR RUTH 3/4/91	<b>STE</b> TE Connectivity	
DIMENSIONS: mm [INCHES]		CHK MS FEHER 3/4/91		
TOLERANCES UNLESS OTHERWISE SPECIFIED:		APVD R BEAVER 3/4/91	NAME RECEPTACLE, LIF, FASTON, 4.75 [.187] SERIES	
0 PLC ± -		PRODUCT SPEC -	SIZE CAGE CODE DRAWING NO RESTRICTED TO	
1 PLC ± -		APPLICATION SPEC -	A3 00779 C-63608	
2 PLC ± 0.25 [.010]		WEIGHT -	SCALE 5:1 SHEET 1 OF 1 REV F	
3 PLC ± -		CUSTOMER DRAWING		
4 PLC ± -				
ANGLES ± -				
MATERIAL BRASS	FINISH SEE TABLE			